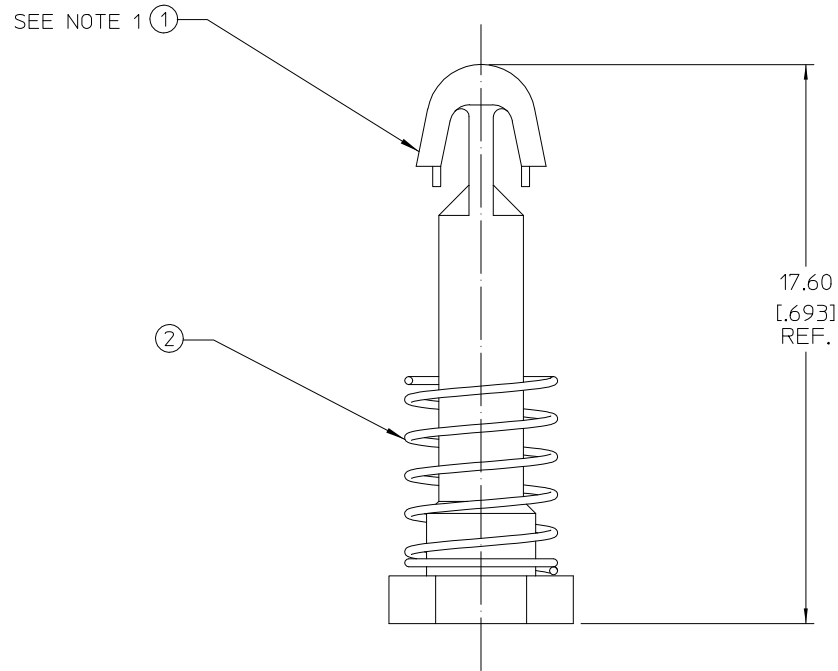
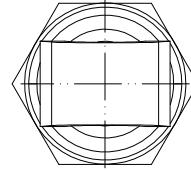


VICOR CONFIDENTIAL


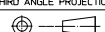
THIS DOCUMENT AND THE DATA DISCLOSED
HEREIN OR HEREWITH IS NOT TO BE REPRODUCED,
USED, OR DISCLOSED IN WHOLE OR IN PART
TO ANYONE WITHOUT PERMISSION OF VICOR CORP.

REV.	DESCRIPTION	DATE	APVD
1	RELEASED PER E053460	LEK 12/08/05	RT
2	REVISED PER E063752	PEI 03/29/06	RT



NOTES:

1. FOR A LIST OF PARTS SEE BOM NO. 32434.
2. ITEM 1 IS WHITE.

DRAWN BY <i>D.CVINAR</i>	DATE 4/7/05	 ASSEMBLY DWG., VIC J-LEAD PUSH PIN		
<small>UNLESS OTHERWISE SPECIFIED DIMENSIONS ARE IN (INCH) TOLERANCES ARE: DECIMALS .XX ± 0.25 [01] ANGLES ± 1° .XXX ± 0.127 [005]</small>				
THIRD ANGLE PROJECTION 	SIZE C	FSCM NO. 67131	DWG NO. 29808	REV 2
DO NOT SCALE DRAWING	SCALE 8:1	SHEET 1 OF 1		