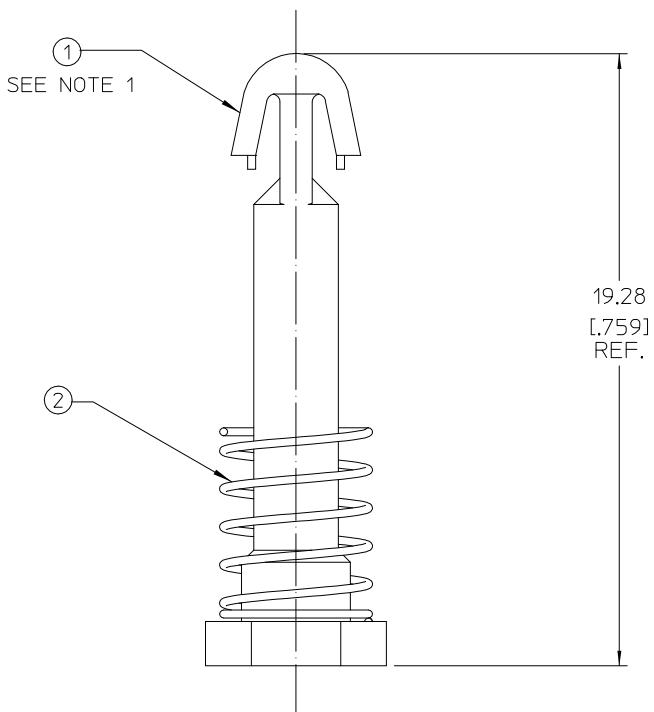
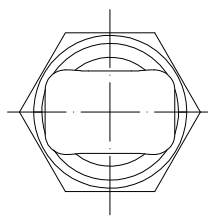



THIS DOCUMENT AND THE DATA DISCLOSED
HEREIN OR HEREWITH IS NOT TO BE REPRODUCED,
USED, OR DISCLOSED IN WHOLE OR IN PART
TO ANYONE WITHOUT PERMISSION OF VICOR CORP.

REV.	DESCRIPTION	DATE	APVD
1	RELEASED PER E063757	PEI 04/03/06	RLT



- NOTES:
1. FOR A LIST OF PARTS SEE BOM 32436.
 2. ITEM 1 IS BLUE.

DRAWN BY <i>D.CYMAR</i>		DATE 1/30/06				
UNLESS OTHERWISE SPECIFIED DIMENSIONS ARE MM (INCH)						
TOLERANCES ARE: DECIMALS .XX = ± 0.25 [.01] .XXX = ± 0.127 [.005]				ANGLES ± 1°		SIZE C
THIRD ANGLE PROJECTION				FSCM NO. 67131	DWG NO. 32432	REV 1
DO NOT SCALE DRAWING				SCALE 8:1	SHEET 1 OF 1	