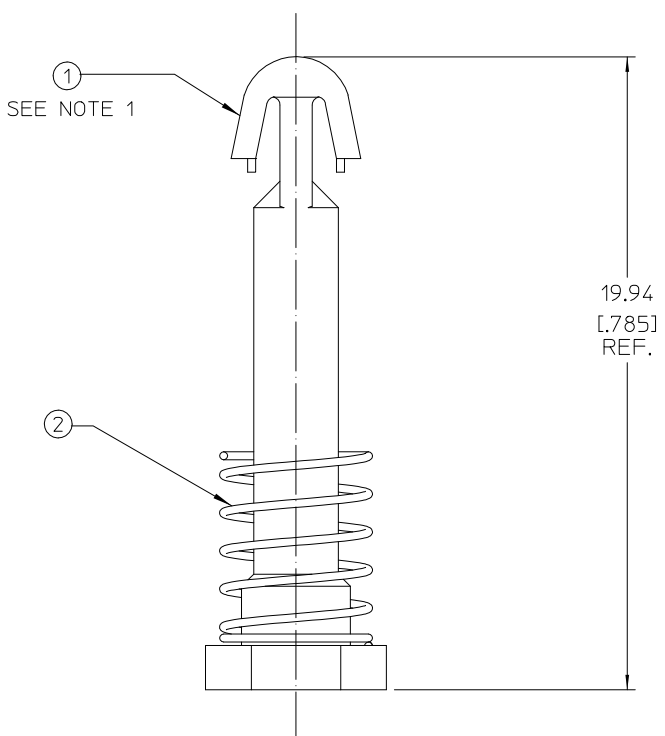
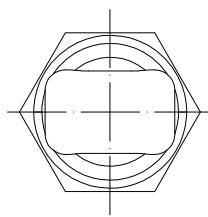


THIS DOCUMENT AND THE DATA DISCLOSED  
HEREIN OR HEREWITH IS NOT TO BE REPRODUCED,  
USED, OR DISCLOSED IN WHOLE OR IN PART  
TO ANYONE WITHOUT PERMISSION OF VICOR CORP.

REV.	DESCRIPTION	DATE	APVD
1	RELEASED PER E063757	04/03/06	RLT



- NOTES:
1. FOR A LIST OF PARTS SEE BOM 32437.
  2. ITEM 1 IS GRAY.

DRAWN BY <i>D.CYMAR</i>		DATE 1/30/06	
UNLESS OTHERWISE SPECIFIED DIMENSIONS ARE MM (INCH)			
TOLERANCES ARE:		ANGLES	
.XX = ± 0.25 [.01]		± 1°	
.XXX = ± 0.127 [.005]			
THIRD ANGLE PROJECTION		SIZE	FSCM NO.
		© 67131	DWG NO
DO NOT SCALE DRAWING		SCALE 8:1	SHEET 1 OF 1

**ASSY DWG GRAY PIN**  
**VIC JLEAD PUSH PIN (19.9mm)**

REV	1
-----	---